

1 2 3 4 5 6 7 8

A

B

C

D

E

F

A

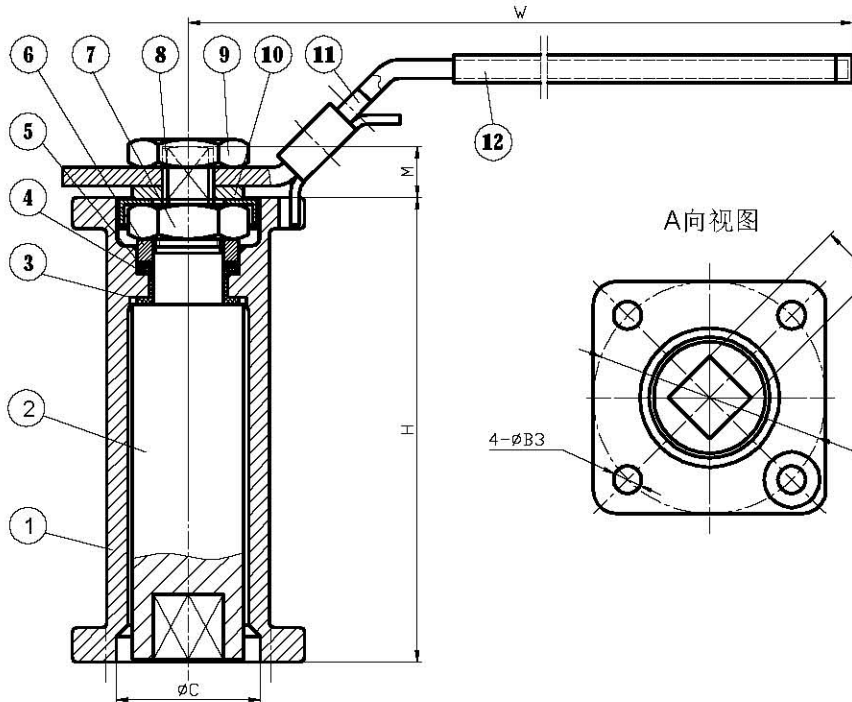
B

C

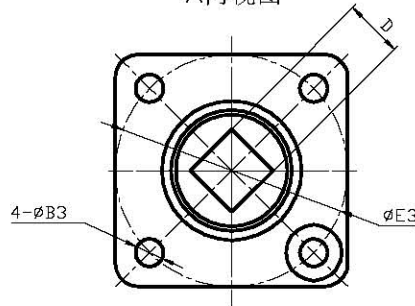
D

E

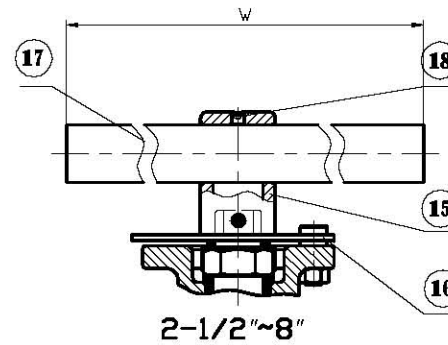
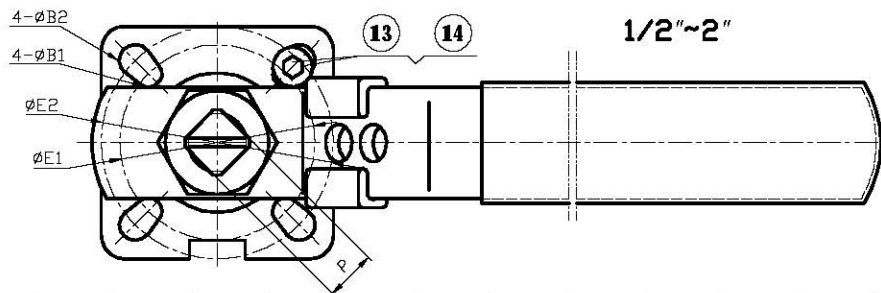
F



A向视图



A向



MATERIALS LIST

NO.	PART NAME	MATERIAL	
1	Extended Bonnet	CF8M	CF8
2	Stem	SUS316	SUS304
3	L-Stem Seal	TFM1600®	
4	Stem Packing	PTFE	
5	Bushing	50%SS+50%PTFE	
6	Gland	SUS304	
7	Stem Nut	A194-8	
8	Stop-Lock-Cap	SUS304	
9	Handle Nut	A194-8	
10	Stem Washer	SUS304	
11	Handle	SUS304	
12	Handle Sleeve	VINYL PLASTIC	
13	Stop Bolt	A193-B8	
14	Bolt Nut	A194-8	
15	Handle Adapter(2 1/2"-8")	A194-8	
16	Triangle Stopper(2 1/2"-8")	SUS304	
17	Pipe Handle (2 1/2"-8")	A53+PLATED Zn	
18	Set Screw(2 1/2"-8")	A193-B8	

SIZE	H	M	P	ØE1	ØE2	ØE3	ØB1	ØB2	ØB3	W	ØC	D
1/2~3/4	100	9	9	36	42	42	6	6	5.5	145	22	9
1~1-1/4	100	11	11	42	50	50	6	7	6.5	175	31	11
1-1/2~2	100	14	14	50	70	70	7	9	8.5	190	40	14
2-1/2~3	100	17	17	102		102	11		11	300	48	17
4	100	22	22	102		102	11		11	400	60	22
5&6&8	120	27	27	125		125	14		14	800	70	27

Mark	Amount	Subarea	Revision NO.	Signature	Date

1/2"~8"		Material NO.	
Extended Bonnet (KV-L40/L60)		Draw. NO.	
Projection	Material	Edition	
Proportion	Weight	Page of	
<b>NTC EXT-100</b>			

1 2 3 4 5 6 7 8