

## Heavy Duty 2-Pce Full Bore Ball Valve lever operated



- ASTM A351 CF8M 316 Stainless Steel construction, 316 Trim.
- WRAS Approved TFM 1600® Seats and PTFE Seals.
- Body Length in accordance with DIN 3202-M3.
- Adjustable gland. Slide type Locking Lever.
- 1000 psi/g Pressure rated.
- -20 / + 180 Deg C Temperature rated.
- Pressure balance hole in Ball Slot.
- 1/4" up to 2" BSPT Screwed end connections.
- Tapped Body Mounting Lugs. Electro-Polished Body.
- CE marked (sizes 1.1/4" upward) in accordance with the PED 2014/68/EU.

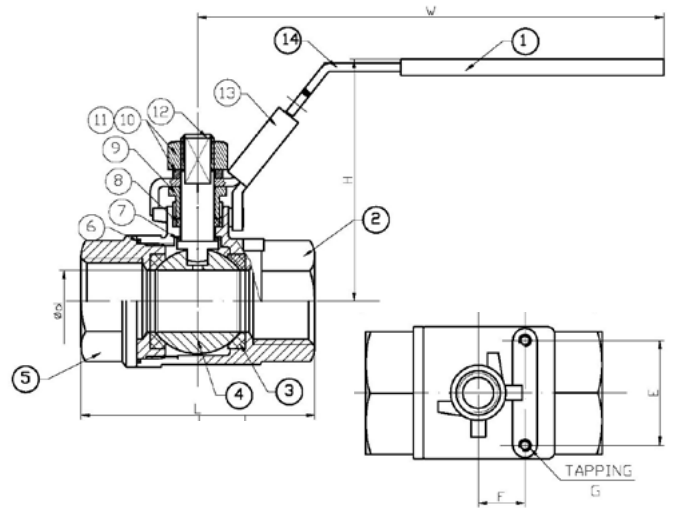
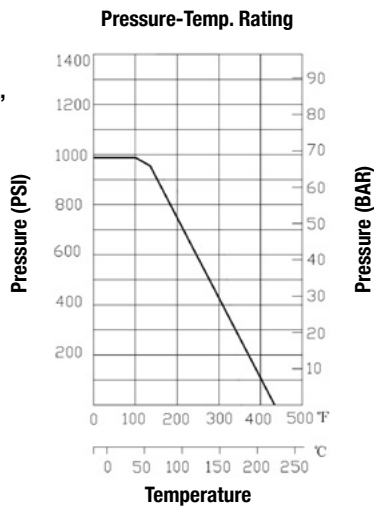
A high quality, general purpose ball valve suitable for most Liquid and Gaseous duties, especially Potable Water due to WRAS approved.

**Seat Materials being fitted as standard.**

**Full material Test Certificates available & WRAS certificate for TFM 1600® Seats.**

**Test standard – API 598**

**Available size range: 1/4" - 2"**



Item	Part	Material	Qty.
1	Handle Cover	PLASTIC	1
2	Body	CF8M	1
3	Ball Seat	TFM1600®	2
4	Ball	CF8M	1
5	Cap	CF8M	1
6	Joint Gasket	PTFE	1
7	Thrust Washer	PTFE	1
8	Stem Packing	PTFE	1
9	Gland Nut	304	1
10	Spring Washer	304	1
11	Stem Nut	304	1
12	Stem	316	1
13	Locking Device	304	1
14	Handle	304	1

SIZE	d	L	H	W	E	F	G
1/4"	9.2	60	54	110	28	14	M5X0.8
3/8"	12.8	60	55	110	28	14	M5X0.8
1/2"	15	75	58	115	28	14	M5X0.8
3/4"	20	80	61	115	35	22	M6X1.0
1"	25	90	77	128	35	22	M6X1.0
1-1/4"	32	110	81	128	38	24	M6X1.0
1-1/2"	38	120	90	155	38	24	M6X1.0
2"	50	140	108	155	38	24	M6X1.0